



SELECTION GUIDE'2007
International Quality Authentication

- ENCODER
- COUPLING



ENCODER & COUPLING

NORTON® PRODUCE BY HEDSS TECHNOLOGY CO.,LTD.

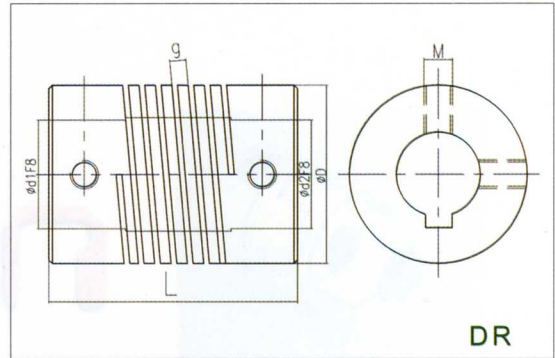
DR、DR2-S、KR2-S Series Flexible Coupling



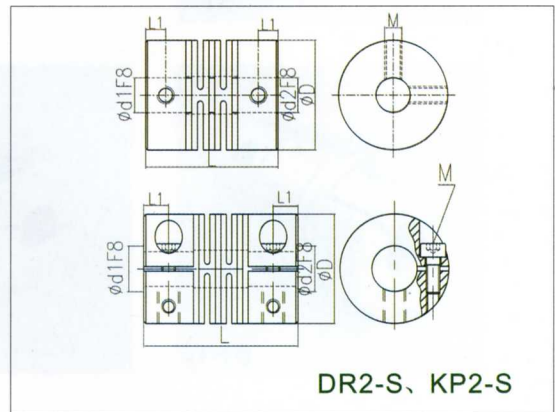
DR



DR2-S、KP2-S



DR



DR2-S、KP2-S

| Item type | d1 Bore | d2 Bore | D | L | g | M | Rated Torque (N.m) | Max. Torque | eccentricity error | Shaft angel | Max. Rotational (rpm) | Rated |
|-----------|---------|---------|----|-------|-----|--------|--------------------|-------------|--------------------|-------------|-----------------------|------------------|
| DR | 4-18 | 4-8 | 15 | 20-30 | 2.5 | M2.5-3 | 1N.m | 2N.m | ±0.2mm | ≤2° | 1900 | In-phase operate |
| | 4-10 | 4-10 | 18 | 20-35 | 2.5 | M2.5-4 | 1N.m | 2N.m | ±0.2mm | ≤2° | 1900 | |
| | 4-12 | 4-12 | 20 | 25-35 | 2.5 | M3-4 | 1N.m | 2N.m | ±0.2mm | ≤2° | 1900 | |
| | 4-15 | 4-15 | 25 | 25-40 | 2.5 | M3-4 | 1.5N.m | 3N.m | ±0.2mm | ≤2° | 1900 | |
| | 5-18 | 5-18 | 30 | 30-45 | 2.5 | M4-6 | 1.5N.m | 3N.m | ±0.2mm | ≤2° | 1900 | |
| | 5-20 | 5-20 | 35 | 30-45 | 2.5 | M4-6 | 2N.m | 4N.m | ±0.2mm | ≤2° | 1900 | |

Can be produced on client's request

| Item type | d1 Bore | d2 Bore | D | L | L1 | M | Rated Torque (N.m) | Max. Torque | eccentricity error | Shaft angel | Max. Rotational (rpm) | Rated |
|-----------|---------|---------|----|----|-----|----|--------------------|-------------|--------------------|-------------|-----------------------|------------------|
| DR2-S | 6 | 6 | 19 | 23 | 3.5 | M3 | 0.5Nm | 1Nm | ±0.2mm | ≤2.5° | 7000 | In-phase operate |
| | 6 | 6.35 | 19 | 23 | 3.5 | M3 | 0.5Nm | 1Nm | ±0.2mm | ≤2.5° | 7000 | |
| | 6 | 8 | 19 | 23 | 3.5 | M3 | 0.5Nm | 1Nm | ±0.2mm | ≤2.5° | 7000 | |
| | 8 | 8 | 19 | 23 | 3.5 | M3 | 0.5Nm | 1Nm | ±0.2mm | ≤2.5° | 7000 | |
| KR2-S | 10 | 10 | 24 | 34 | 5.5 | M5 | 0.6Nm | 1.2Nm | ±0.2mm | ≤2.5° | 5000 | |

Can be produced on client's request

