



SPECIFICATION FOR APPROVAL

1 (TYPE MODEL)

1.1 (TYPE)

STT67G(T92)

1.2 (CONTACT ARRANGEMENT)

1C

1.3 (CONTACT MATERIAL)

(AgCdO)

2(COIL PARAMETER)

(RATED VOLTAGE)	(COIL RESISTANCE)	(MAX. ALLOWABLE COIL VOLTAGE)	(COIL OPERATING POWER)
AC(V)	±10%(Ω)	(V)	(VA)
220	11300	242	1.5

3 (CONTACT SPECIFICATION)

3.1(CONTACT RATING)

NC:30A/240VAC/28VDC(Resistive)

NO:40A/240VAC/28VDC(Resistive)

3.2 (RATED CONTACT CURRENT)

40A/30A

3.3 (MAX CONTACT CAPACITY)

240VAC/28VDC

3.4 (MIN APPLICABLE LOAD)

5VDC 100mA(Reference value)

4 (PERFORMANCE)

4.1 (CONTACT RESISTANCE)

$\leq 100\text{m}\Omega(6\text{VDC}, 1\text{mA})$

4.2 (OPERATE VOLTAGE)

$\leq 85\% \times \text{The rated voltage (at } 23^\circ\text{C)}$

4.3 (RELEASE VOLTAGE)

$\geq 30\% \times \text{The rated voltage (at } 23^\circ\text{C)}$

4.4 (OPERATE TIME) $\leq 15\text{ms}$

4.5 (RELEASE TIME) $\leq 10\text{ms}$

4.6 (LIFE)

1) (ELECTRICALLY) :

$1 \times 10^5 \text{ops min(Resistive load, } 10 \text{ ops/minute)}$

2) (MECHANICALLY) :

$1 \times 10^7 \text{ops min(At no load , } 300 \text{ ops/minute)}$

4.7 (DIELECTRIC STRENGTHS)(LEAK CURRENT1mA)

1) (BETWEEN CONTACTS) : 1800VAC, 1minute

2) (BETWEEN COIL TO CONTACTS) : 4500VAC, 1minute

4.8 (INSULATION RESISTANCE)

1) (BETWEEN CONTACTS) :

100M Ω

2) (BETWEEN COIL TO CONTACTS) :

100MΩ

4.9 (SURGE RESISTIVE NESS)

(BETWEEN COIL TO CONTACTS) :

1.5KV

4.10 (TEMPERATURE RISE)

1) (COIL) : $\leq 120^{\circ}\text{C}$.

2) (CONTACT) : $\leq 45^{\circ}\text{C}$.

4.11 (VIBRATION)

1) (ERROR OPERATION) :

No error operation than 1ms Max. when vibrate it from 3 directions for 5 minutes(Amplitude 1.5mm, 10 ~ 55Hz).

2) (ENDURANCE) :

No construction trouble when vibrate it from 3 directions for 2 hours(Amplitude 1.5mm, 10 ~ 55Hz).

4.12 (HOCK)

1) (ERROR OPERATION) :

No error operation by contact more than 1ms Max. When shocks is from 3 directions 3 times (at peak acceleration 100 m/s² Duration 11ms).

2) (ENDURANCE) :

No construction trouble when shocks is from 3 directions 3 times(at peak acceleration 1000 m/s² Duration 6ms).

4.13 (TERMINAL STRENGTH)

No construction and exterior trouble when push into any terminals by 5N for 10esc.

4.14 (THERMAL PROOF)

Not any trouble on construction and characteristic when leave in 70°C 24 hours after that , leave it in standard condition for 2 hours .

4.15 (COLD PROOF)

Not any trouble on construction and characteristic when leave in -55°C 24 hours after that , leave it in standard condition for 2 hours .

4.16 (HUMIDITY PROOF)

Insulation resistance 10 MΩ min . Not any troubles on construction and characteristic when leave in 40°C, humidity 35%-80% 24 hours after that , leave it in standard condition for 2 hours .

4.17 (THERMAL SHOCK)

Not any troubles on construction and characteristic when leave it in -40°C and 85°C temp.room for 1h each. That is one cycle. After 10 cycles has done, Leave it on standard condition for 2 hours.

4.18 (SOLDERING THERMAL)

Not any troubles on construction and characteristic.

When dipped into soldering bath $350\pm 10^{\circ}\text{C}$ $3.5\pm 0.5\text{sec}$

or $260\pm 5^{\circ}\text{C}$ $10\pm 1\text{ sec}$.

4.19 (SOLDERABILITY)

Not any problems solder dipped at $235\pm 5^{\circ}\text{C}$ $2\pm 0.5\text{sec}$.

5 (MARKING)

5.1 (CRUST COLOR)

(Black)

5.2 (MARKING POSITION)

(Top Surface)

5.3 (INK COLOR)

(White)

6 (STANDARDS TEST CONDITION)

6.1 (TEMPERATURE)

$23\pm 5^{\circ}\text{C}$

6.2 (HUMIDITY)

$60\%\pm 10\%$

6.3 (DIRECTION OF MEASUREMENT)

(Terminal down position is standard position)

7 (OPERATING CONDITION)

7.1(TEMPERATURE)

-45 ~ +85°C , (However, no freeze and no dew condensation)

7.2 (HUMIDITY)

20 ~ 85%

7.3 (MOUNTING DIRECTION)

(Terminal down position is standard position)

8 (STORAGE CONDITION)

8.1(TEMPERATURE)

-45 ~ +85°C , (However, no freeze and no dew condensation)

8.2 (HUMIDITY)

20 ~ 85%

8.3 (ENVIRONMENT)

1)

Store in locations where the product or container is not expose to corrosive gas such As hydrogen sulfide gas or salty air.

2)

Store in location where no visible dust exists.

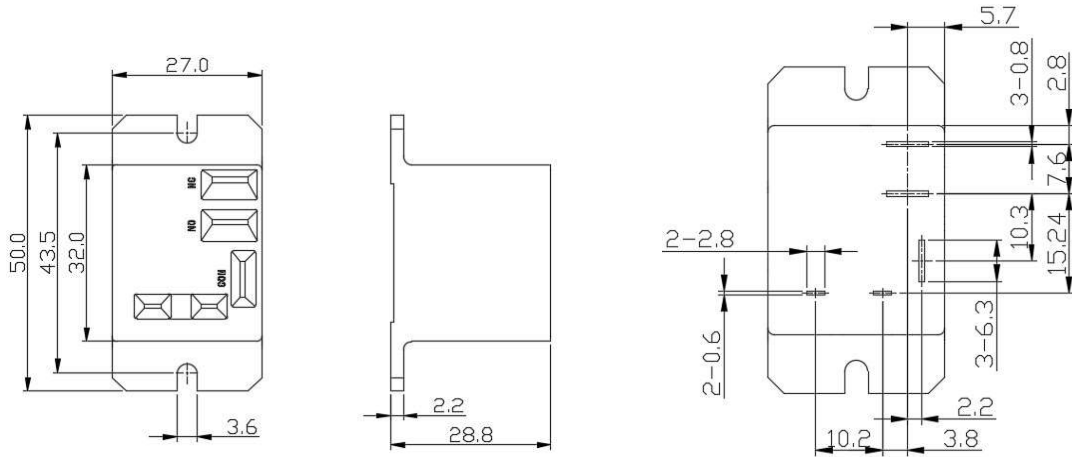
3)

Store in location not subject to direct sunlight.

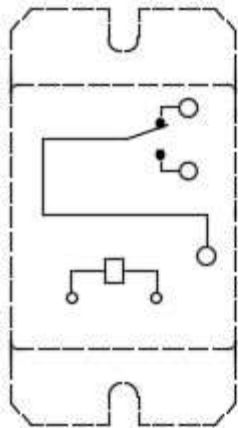
9 (Important Part And Components)

Serial No.	Part and Components name	Material name	Number
1	Bobbin	PBT-G20 (94V-0)	1
2	Case	PBT-G20 (94V-0)	1
3	Yoke	DT4E	1
4	Floor	PBT-G30 (94V-0)	1
5	Armature	DT4E	1
6	Movable spring	QSn6.5-0.1Y	1
7	Stationary spring	H650.8-Y2	1
8	Movable contact	1#	1
9	Stationary contact	1#	1
10	Copper wire	3UEW	1
11	Coil terminal		2
12	sealant	EPOXY	1
13	lead	Cu	1
14			
15			
16			
17			

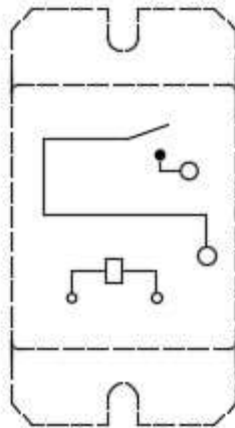
(Overall dimensions, mounting dimensions and the circuit diagram)



1C



1A



1B

